

RAISED BED CORNERS FITTING INSTRUCTIONS

The Raised Bed Corner kit is easy to use, please read the instructions fully before starting, to help familiarise yourself with the full process. You can make any size raised bed that you require, we recommend gravel boards for the sides up to a maximum of 1.8m (6ft). We recommend using a thicker timber of 3.5cm - 5cm (1½" - 2") for all bed sizes over 1.8m. Suitable for use with timber up to 15cm (6") wide (timber not supplied).

Pack Contains:

4 x Corner Brackets
16 x 25mm Self Tapping Screws

Please ensure you have the listed components before beginning

Tools Required:

Screwdriver (Pozidriv/Cross Head)



Drill with 3mm Bit (Optional)



Step 1

To construct a raised bed using the raised bed corners, simply cut your wood to the desired length. Mark the position for the bracket ensuring that the bottom of the bracket is 15mm below the bottom of the wood (See Fig 1). The bracket will then push into the ground and help to keep the bed in place, this also allows for the beds to lock together when stacking them to make a deeper bed.

Step 2

Screw the bracket into position (with the open corner facing up and the closed bottom facing down) using the screws supplied (See Fig 2), you could use a drill to make a small pilot hole (optional). Repeat the process until all four corner brackets are fixed in place and you have a completed frame (See fig 3).

Step 3

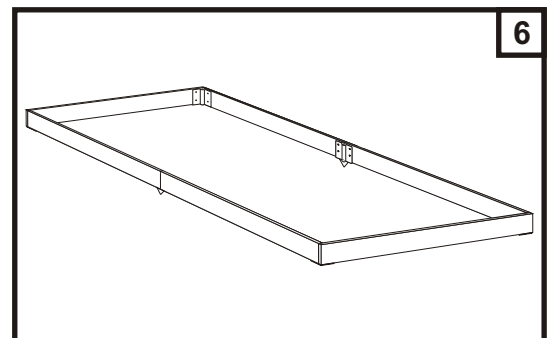
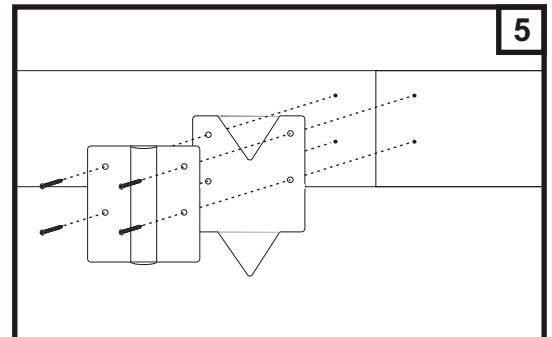
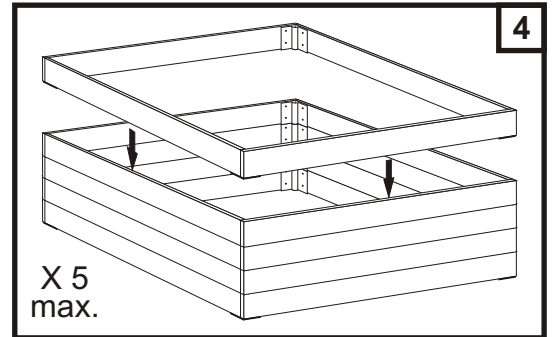
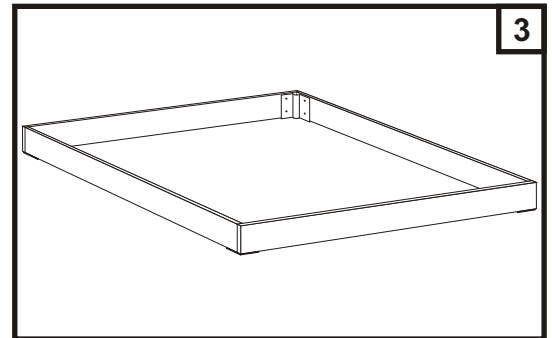
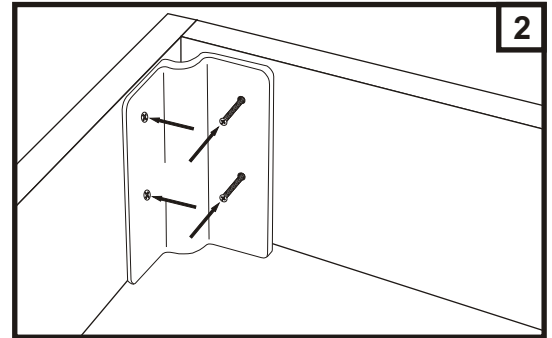
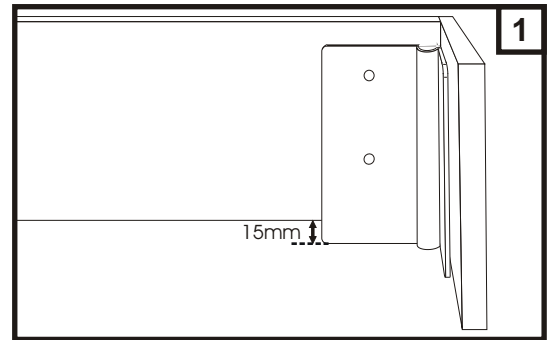
You can make your raised beds deeper by adding more frames on top, you can stack them up to a maximum of 5 frames high (See fig 4).

Available Accessories

We also offer Extension Connector Brackets with a steel chevron plate, the plate ensures that each tier locks firmly into place. Please contact us for prices either by phone or email.

To Fit The Connector Brackets

Simply place the steel chevron plate on to the wood and then screw the plastic bracket into place using the screws supplied (See fig 5). Ensure the brackets are fixed 15mm below the bottom of the wood just as in step 1 (See fig 1). Your extended raised bed is completed (See fig 6).



Garland
PRODUCTS LIMITED

