

Extension Kit for Timber Grow Bed

Assembly of an extended Timber Grow Bed should take no longer than 20 minutes. Due to the increased size of the finished structure, assembly is best carried out by two people. To complete the assembly, the only tool required is a screwdriver, ideally with a *Pozidriv* or cross head. Full details of the components included in this kit are as follows -

- 2 x Stretcher Planks
- 2 x Straight Connector Brackets (with Support Slots)
- 2 x Steel Chevron Plates
- 8 x 25mm Self Tapping Screws

STEP 1

To construct an extended Timber Grow Bed, you must remove one End Plank from your existing Timber Grow Bed. With reference to fig.1, remove two of the screws (as circled on the illustration) from each of the Corner Brackets, so that the Corner Brackets remain attached to the End Plank. You can set aside the removed End Plank and screws as these will not be required until Step 3. The original Timber Grow Bed should now appear as per fig.2

STEP 2

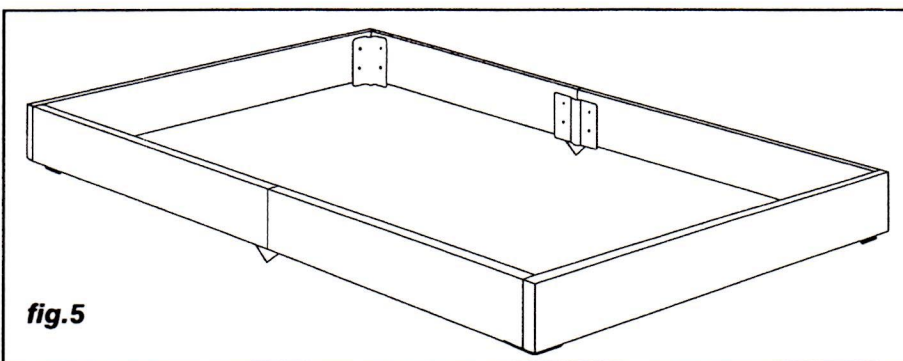
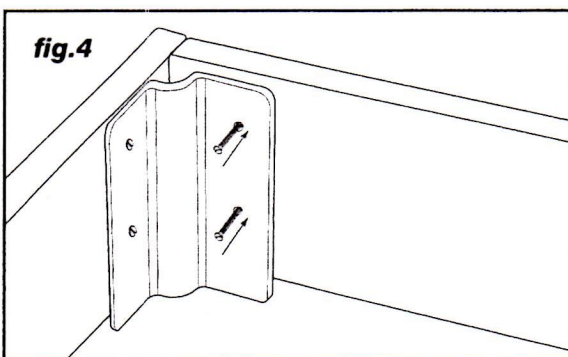
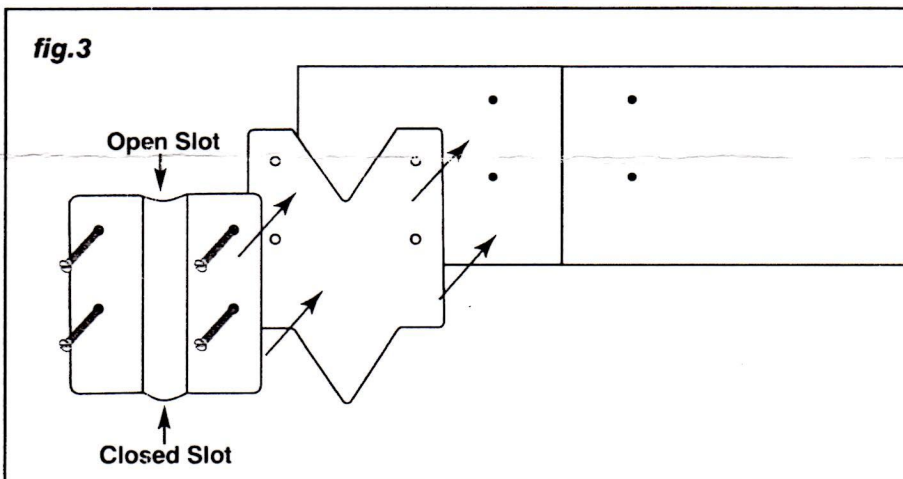
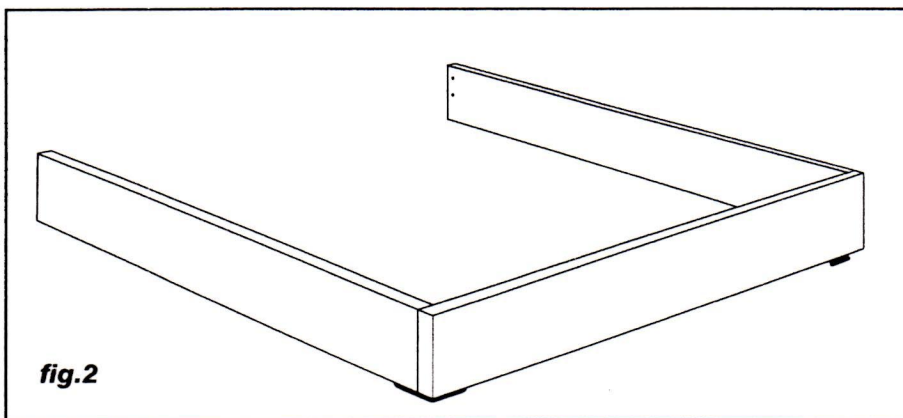
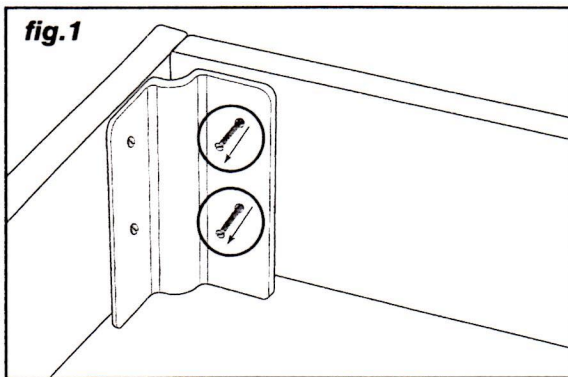
Extend the length of each side of your existing bed, using the Stretcher Planks supplied with the Extension Kit. The horizontal joint is secured and strengthened by screwing the Steel Chevron Plate and the Straight Connector Brackets across the join, (see fig.3). Line up the pre-drilled pilot holes at the end of each Stretcher Plank with the holes in the Steel Chevron Plate and the Straight Connector Brackets and secure using the Self Tapping Screws provided. The exposed point of the Steel Chevron Plate is designed to stake into the ground to provide added stability for the finished structure.

STEP 3

Position the End Plank, set aside in Step 1, to complete the extended Timber Grow Bed, (see fig.4). Secure the extended Stretcher Planks to each of the Corner Brackets already in place on the End Plank, using the screws previously set aside. The completed extended Timber Grow Bed will appear as fig.5.

FINAL NOTES

It is possible to increase the height of extended Timber Grow Beds by stacking one top of another. The design of the connector brackets and steel chevron plate, ensures that each tier locks firmly into place. Finally Steel Support Hoops (1 Metre High) which anchor inside the slots of the connector brackets are also available - these provide support for a frost cover or crop protection netting. Please contact your supplier for further details.



Garland Products Limited
First Avenue, The Pensnett Estate,
Kingswinford, West Midlands, England, DY6 7TZ

Telephone: 01384 278256
Fax: 01384 400091
Website: www.garlandproducts.com
Email: sales@garlandproducts.com